

TRANSFORMERS

WRECK-GAR™

LEVEL: 0 1 2 3 4 5
INTERMEDIATE

AUTOBOT

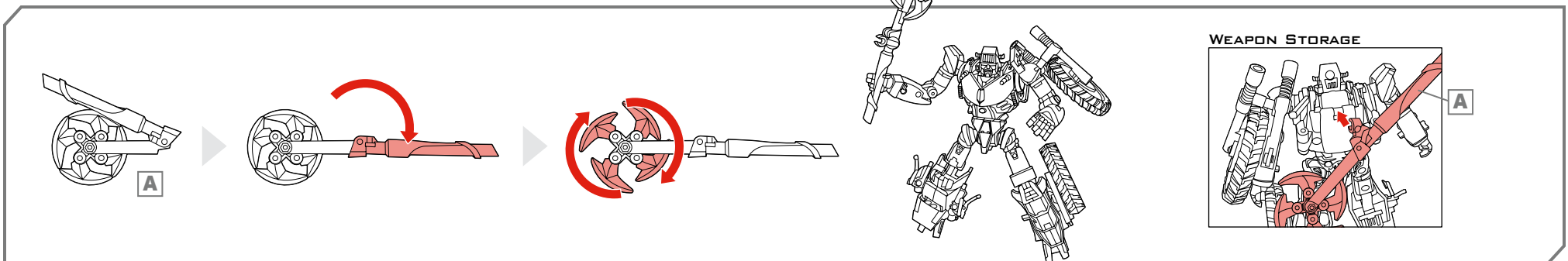
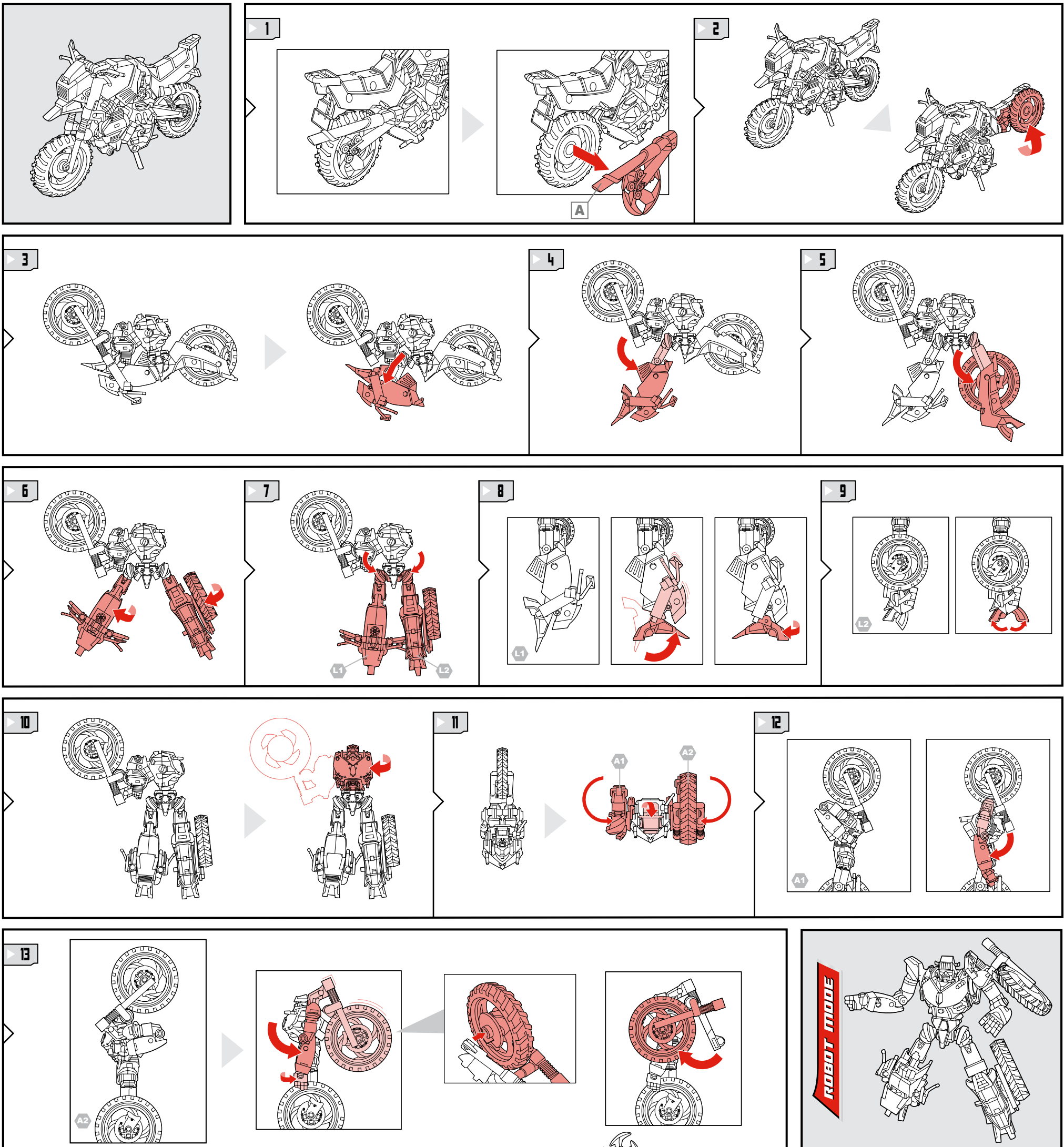
NOTE: Some parts are made to detach if excessive force is applied and are designed to be reattached if separation occurs. Adult supervision may be necessary for younger children.



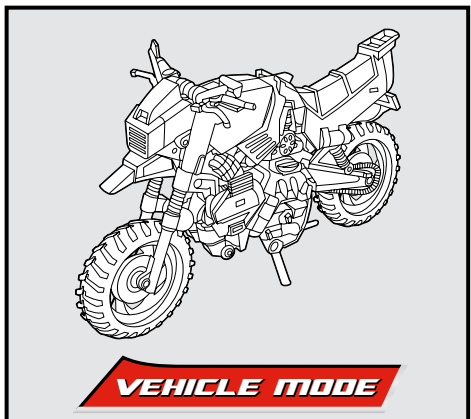
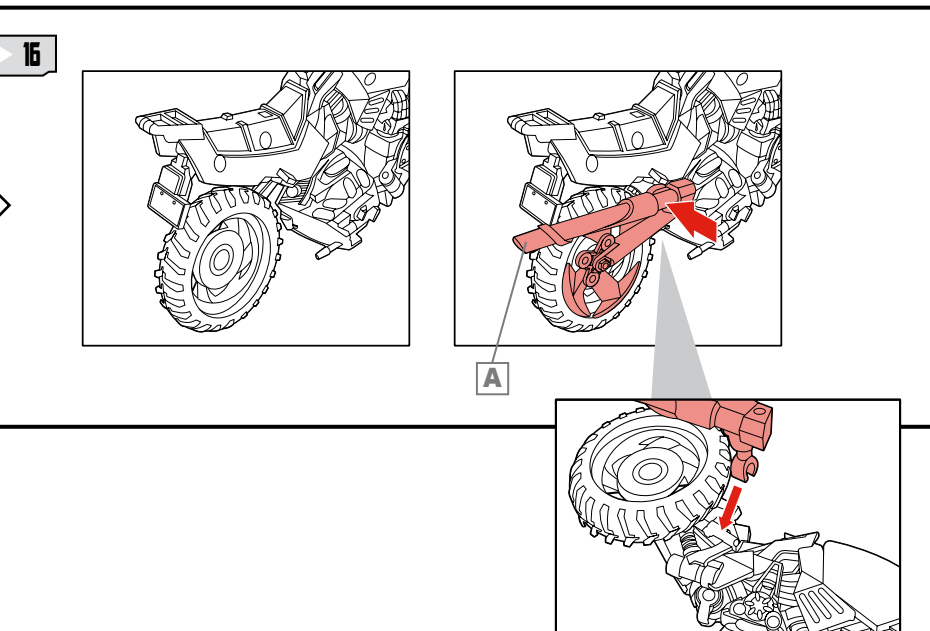
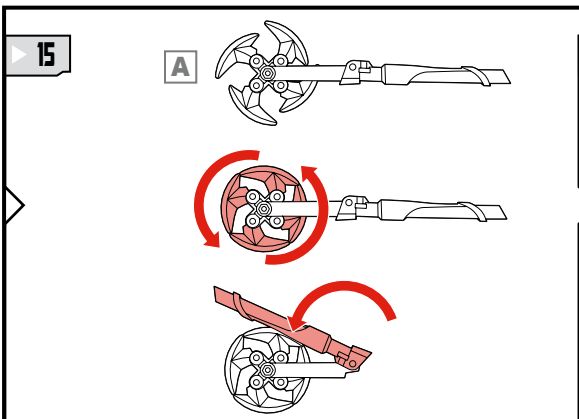
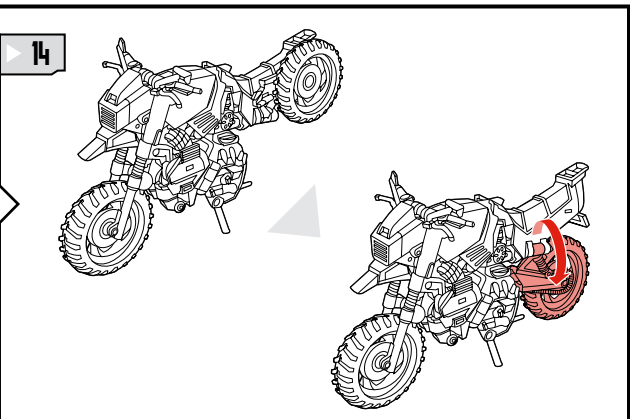
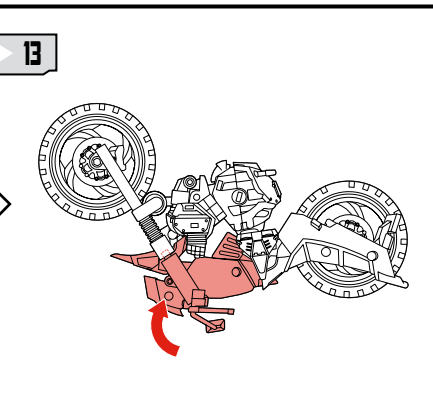
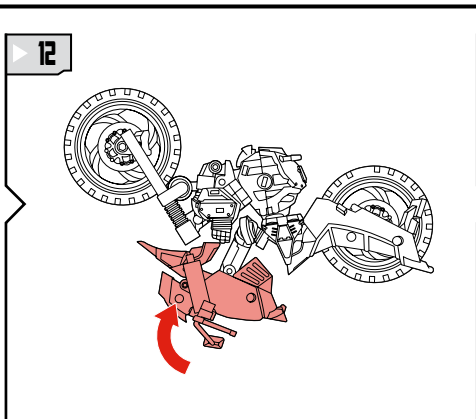
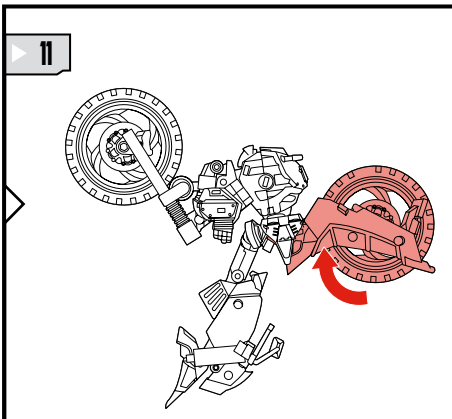
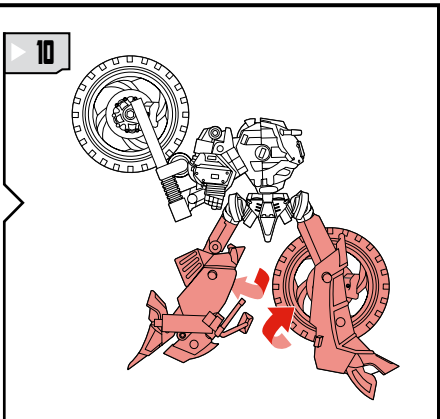
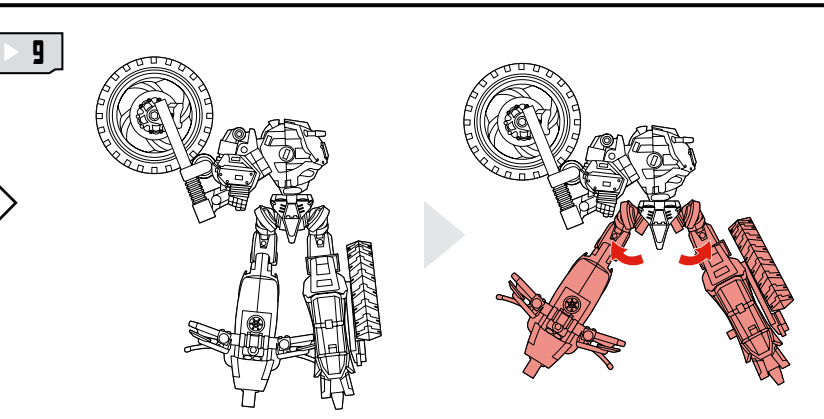
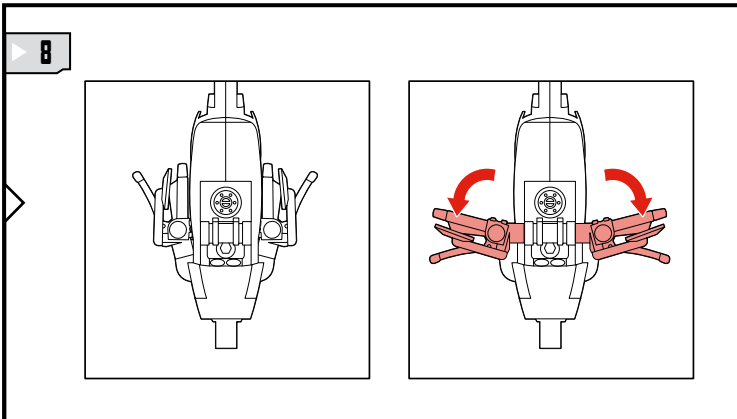
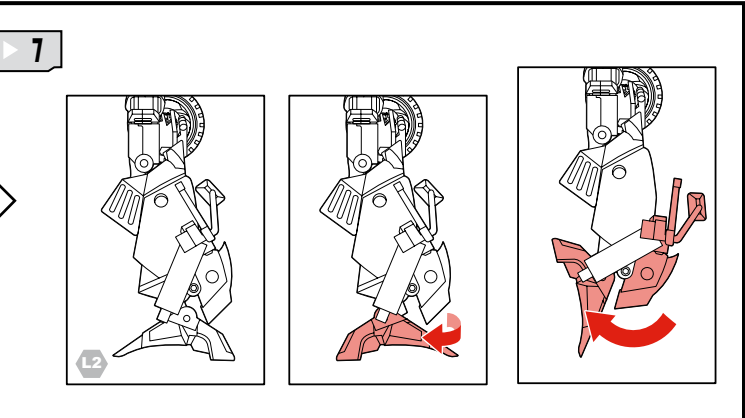
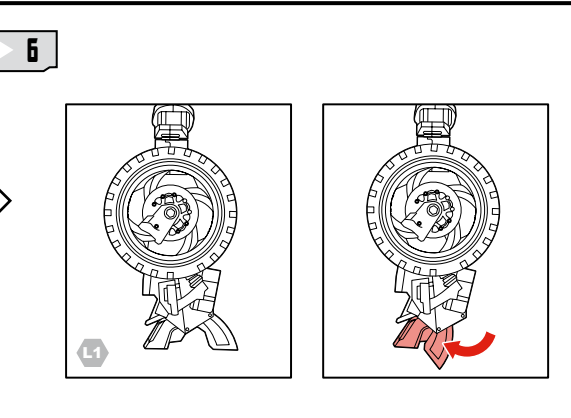
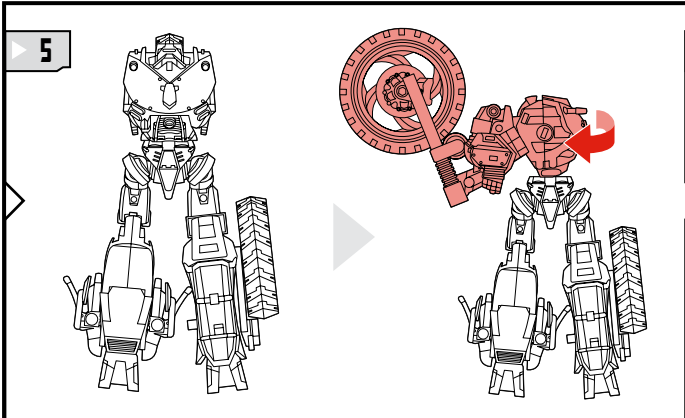
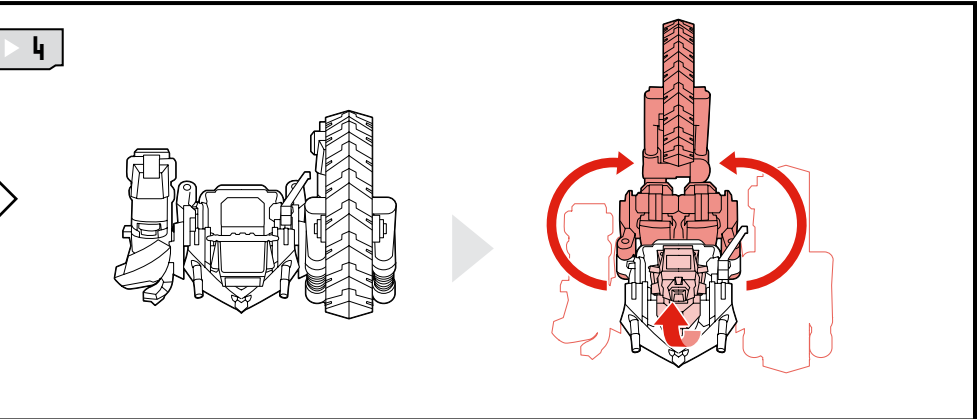
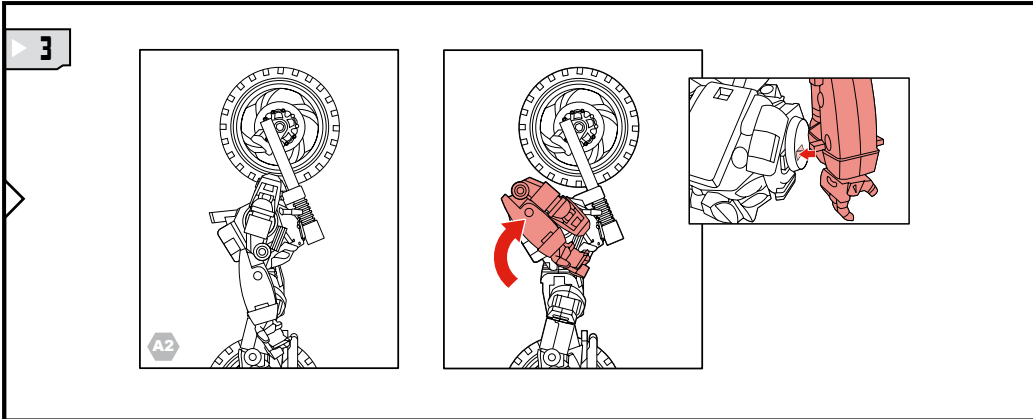
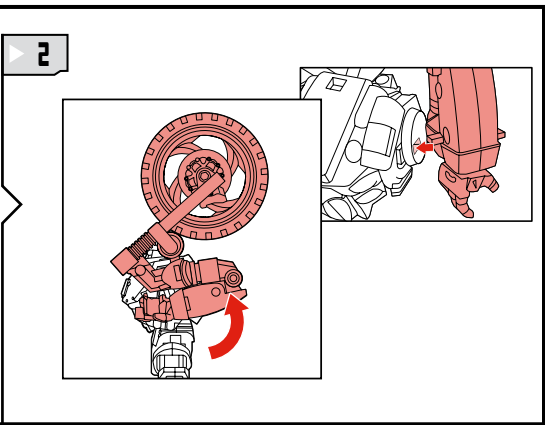
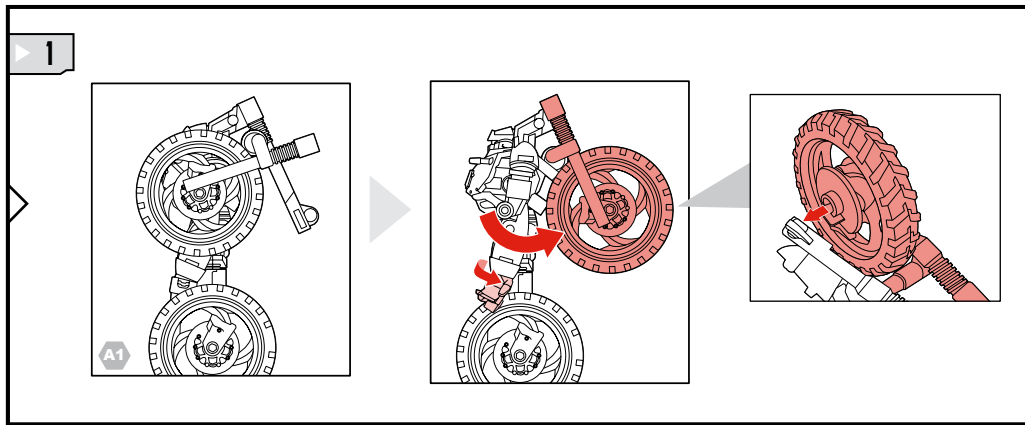
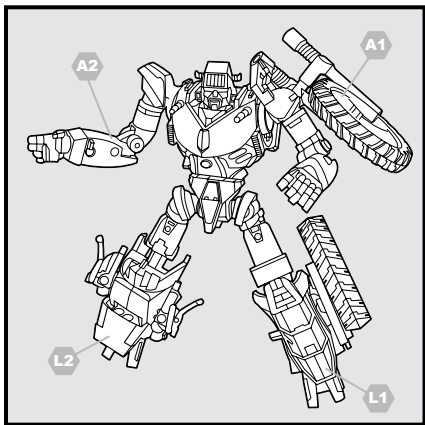
AGES 5+
28571/98447 ASST.

TRANSFORMERS.COM

CHANGING TO ROBOT



CHANGING TO VEHICLE



Product and colors may vary.
 © 2010 Hasbro. All Rights Reserved.
 TM & ® denote U.S. Trademarks.
 Manufactured under license from TOMY Company, Ltd.

P/N 7122870000

NEED HELP?
TRANSFORMERS.COM/INSTRUCTIONS

Retain instructions for future reference. Some poses may require hand support.

Not suitable for children under 3 years because of small parts - choking hazard.

WRECK-GAR™ Robot Mode can ride WRECK-GAR Vehicle Mode (Additional WRECK-GAR figure sold separately).

